

END OF LINE UNIT

VM-300SV

Thank you for purchasing TOA's End of Line Unit.
Please carefully follow the instructions in this manual to ensure long, trouble-free use of your equipment.

1. SAFETY PRECAUTIONS

- Before installation or use, be sure to carefully read all the instructions in this section for correct and safe operation.
- Be sure to follow all the precautionary instructions in this section, which contain important warnings and/or cautions regarding safety.
- After reading, keep this manual handy for future reference.

CAUTION Indicates a potentially hazardous situation which, if mishandled, could result in moderate or minor personal injury, and/or property damage.

- Do not connect the speaker line to the contact output as doing so may result in fire or electric shock.
- As up to 100 V is applied to the CN 1 terminal, never touch its terminal to avoid electric shock. Leave all cable connections on the unit to a professional electrical contractor.

2. GENERAL DESCRIPTION

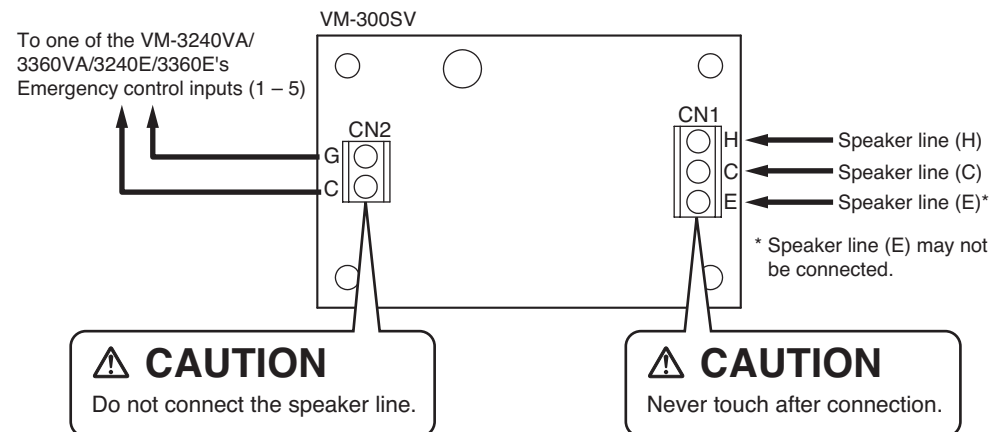
VM-3000 detects speaker line short circuits and open circuits by monitoring the terminated resistance value of the End-of-line (EOL) unit.
Connecting the VM-300SV unit to the end of the speaker line eliminates the necessity of using the speaker line for line monitoring.

Note: This unit can only be used on a VM-3000 system with a firmware of 2.00 or later.

3. HANDLING PRECAUTIONS

- Do not install the unit in locations exposed to the direct sunlight or heaters, as the unit could be deformed or discoloured.
- Avoid installing or storing the unit in dusty or humid locations, as doing otherwise could cause the unit's failure.
- Keep a unit as far away as possible from a fluorescent lamp, digital equipment, PC or other equipment which generate high frequency noise.
- Because the unit is not "hot-pluggable," the system needs to be shut down when it is installed or removed.
- Note correct polarity (positive and negative orientation) when connecting Contact output. Reserved polarity connections will cause failure.

4. CONNECTION



5. SPECIFICATIONS

Power Source	Supplied from VM-3240VA/3360VA/3240E/3360E
Power Consumption	0.2 W
Speaker Line Input (CN 1)	Screw connector, Applicable cable diameter: AWG 24 – AWG 19
Contact Output (CN 2)	Connected to the emergency contact input of VM-3240VA/3360VA/3240E/3360E Connection cable: Twisted pair cable (shielded type is recommended) Screw connector, Applicable cable diameter: AWG 24 – AWG 19
Speaker Line	Max. load: 100 W Note: applicable only to 100 V speaker line
Dimensions	70 (w) x 18 (h) x 45 (d) mm (2.76" x 0.71" x 1.77")
Weight	20 g (0.71 oz)

Note: The design and specifications are subject to change without notice for improvement.

Traceability Information for Europe (EMC directive 2004/108/EC)

Manufacturer:
TOA Corporation
7-2-1, Minatojima Nakamachi, Chuo-ku, Kobe, Hyogo,
Japan

Authorized representative:
TOA Electronics Europe GmbH
Suederstrasse 282, 20537 Hamburg,
Germany